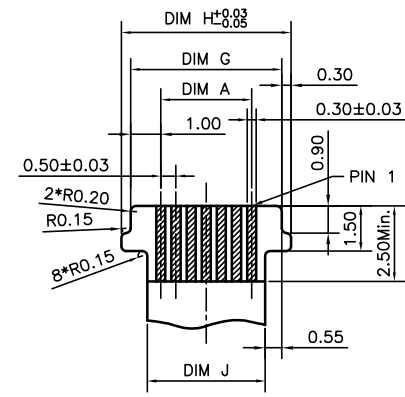
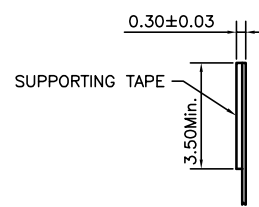


RECOMMENDED PCB LAYOUT
GENERAL TOLERANCE ±0.05



APPLICABLE FPC/FFC LAYOUT
GENERAL TOLERANCE ±0.05

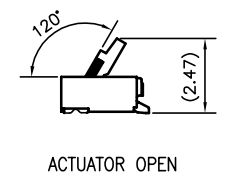
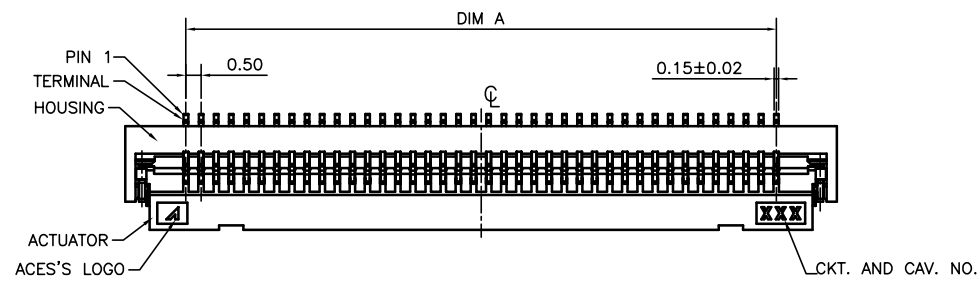
- NOTES:
- MATERIAL:
 - HOUSING: THERMOPLASTIC, HIGH TEMP., UL94V-0;
 - ACTUATOR: THERMOPLASTIC, HIGH TEMP., UL94V-0;
 - CONTACT: COPPER ALLOY
 - FITTING NAIL: COPPER ALLOY
 - FINISH:
 - CONTACT:
 - 50u" MIN. NICKEL UNDERPLATING OVERALL.
 - 1: GOLD FLASH.
 - 10u" Min. GOLD PLATING ON CONTACT AND GOLD FLASH ON SOLDER AREA.
 - 1u" Min. GOLD PLATING ON CONTACT AND 1u" Min. GOLD PLATING ON SOLDER AREA.
 - FITTING NAIL:
 - 50u" MIN. NICKEL UNDERPLATING OVERALL.
 - 80u" MIN. MATTE TIN PLATING OVERALL,
 - REFLOW SOLDER CAPABLE TO 260°C PER ACES SPEC.
 - SPEC. PLS. REFER TO PS-52504-XXXX-XXX
 - PACKAGE PLS. REFER TO 52504-XXXX-XX-TRP

6. PART NUMBER
52504-XXX X X-XXX

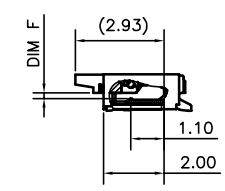
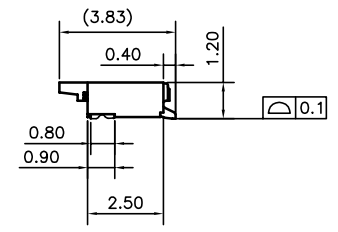
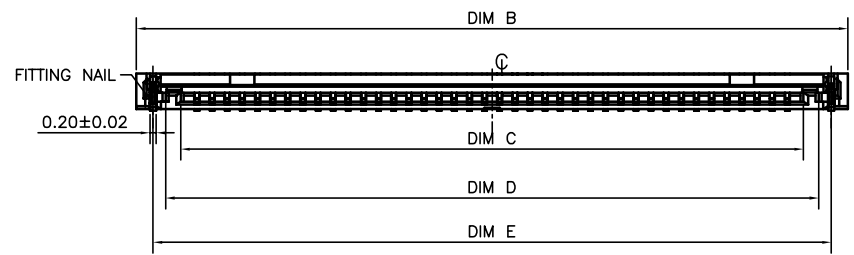
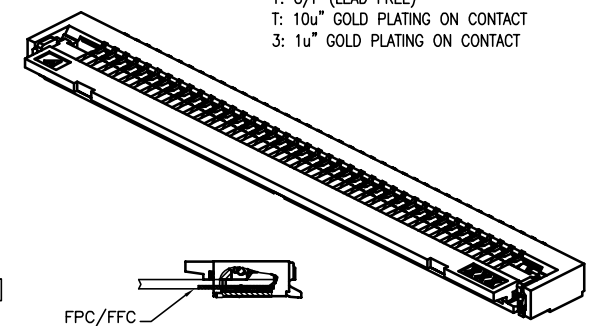
XXX	HOUSING COLOR	ACTUATOR COLOR	PACKAGE
001	NATURAL	BLACK	52504-XXXXCR-00

NO OF CKT
PACKING
0: TAPE & REEL

PLATING
1: G/F (LEAD FREE)
T: 10u" GOLD PLATING ON CONTACT
3: 1u" GOLD PLATING ON CONTACT



ACTUATOR OPEN



CKTS	DIM A	DIM B	DIM C	DIM D	DIM E	DIM F	DIM G	DIM H	DIM J
040	19.5	23.5	20.57	21.57	22.4	0.19	21.5	22.1	20.4

一般公差 TOLERANCES X ±0.5 XX ±0.15 X ±0.25 XXX ±0.1 ANGLES ±2°		宏致電子股份有限公司 Aces Electronics Co.,Ltd.	
檢驗尺寸標示 SYMBOLS (M) INDICATE CLASSIFICATION DIMENSION (M) MARK IS CRITICAL DIM. (M) MARK IS MAJOR DIM. 表面處理 (FINISH)	品名 (TITLE) 0.5mm Easy On FPC Conn. SMT R/A B/C Type 圖號 (DWG.NO) 52504-XXXX-XXX	製圖 (DR) '22/11/23 ZHUWEI 審核 (CHKD) Xu,Zhi Yong 核准 (APPD) Xu,Zhi Yong	張數 (SHEET) 1 OF 1 尺寸 (SIZE) A4 版次 (REV) D
比例 (SCALE) 5:1	單位 (UNITS) mm		